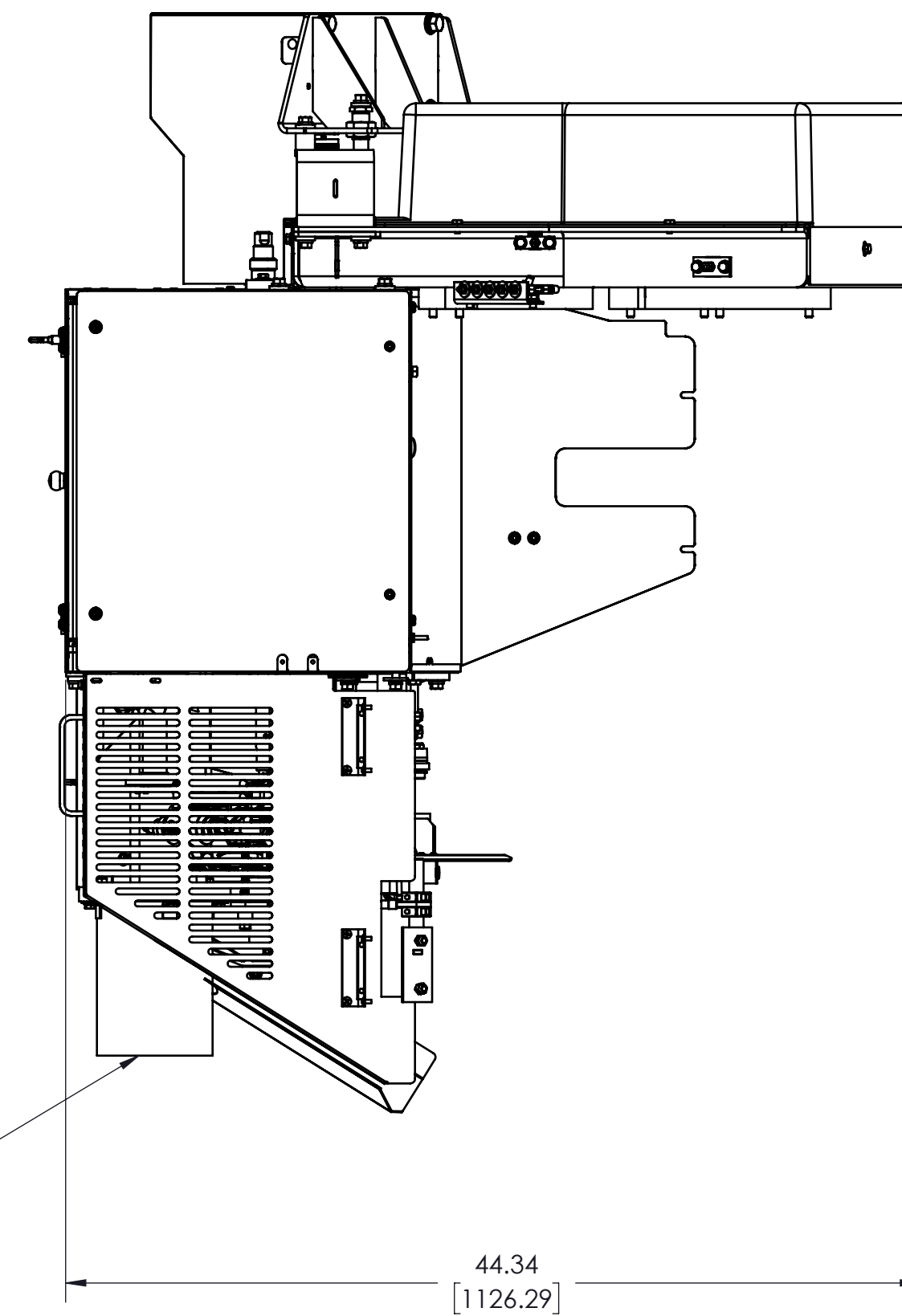
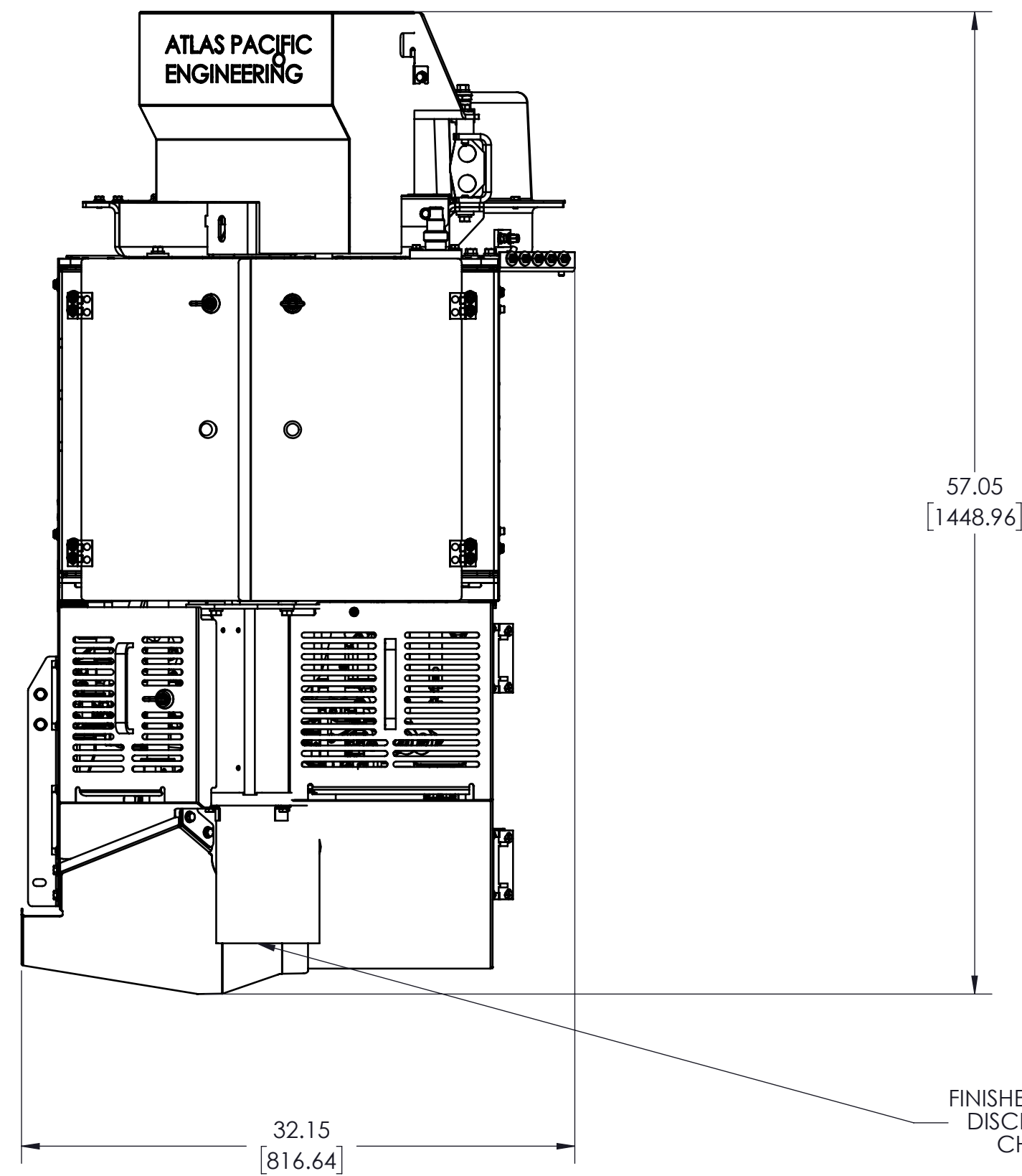
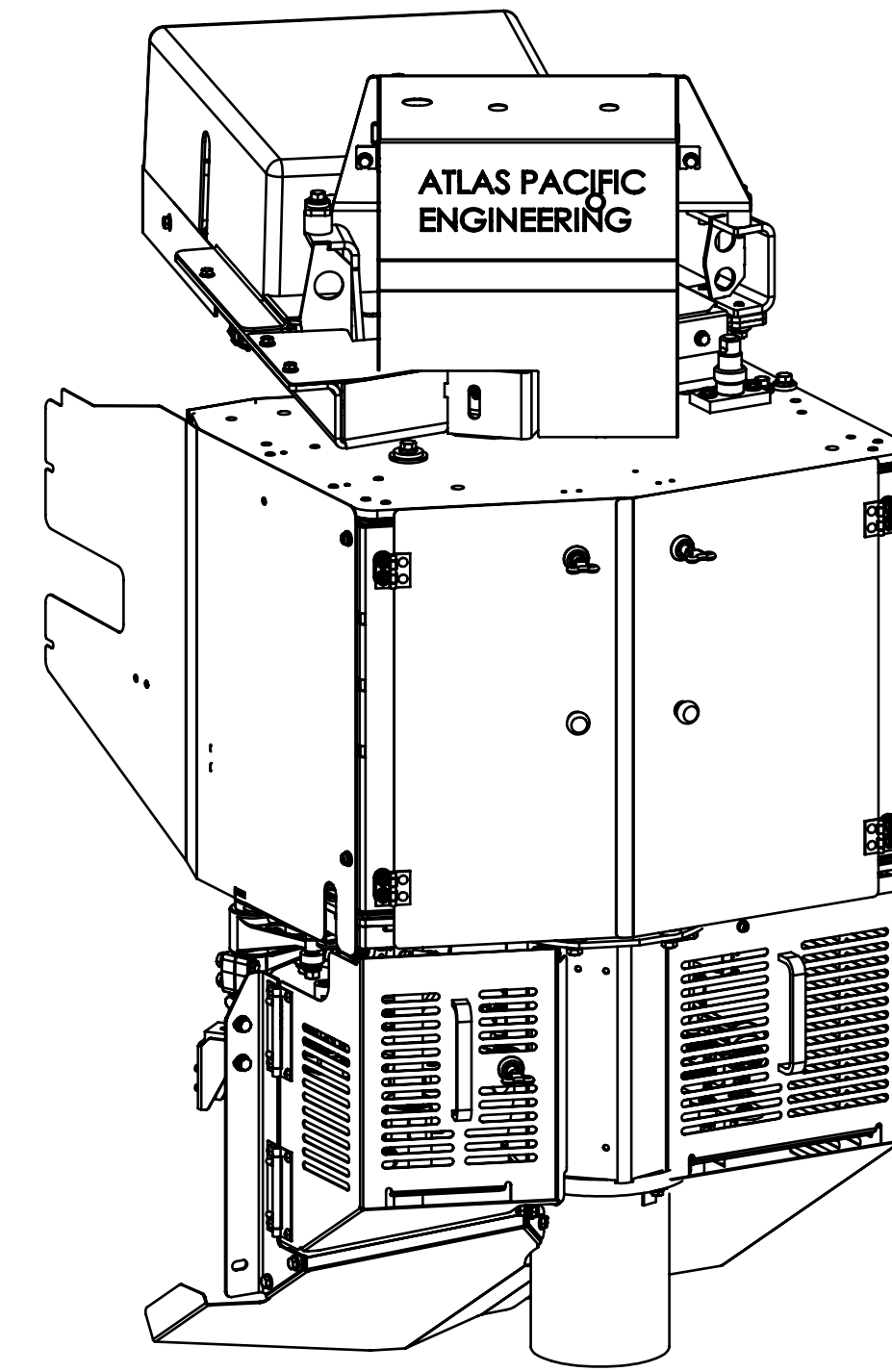
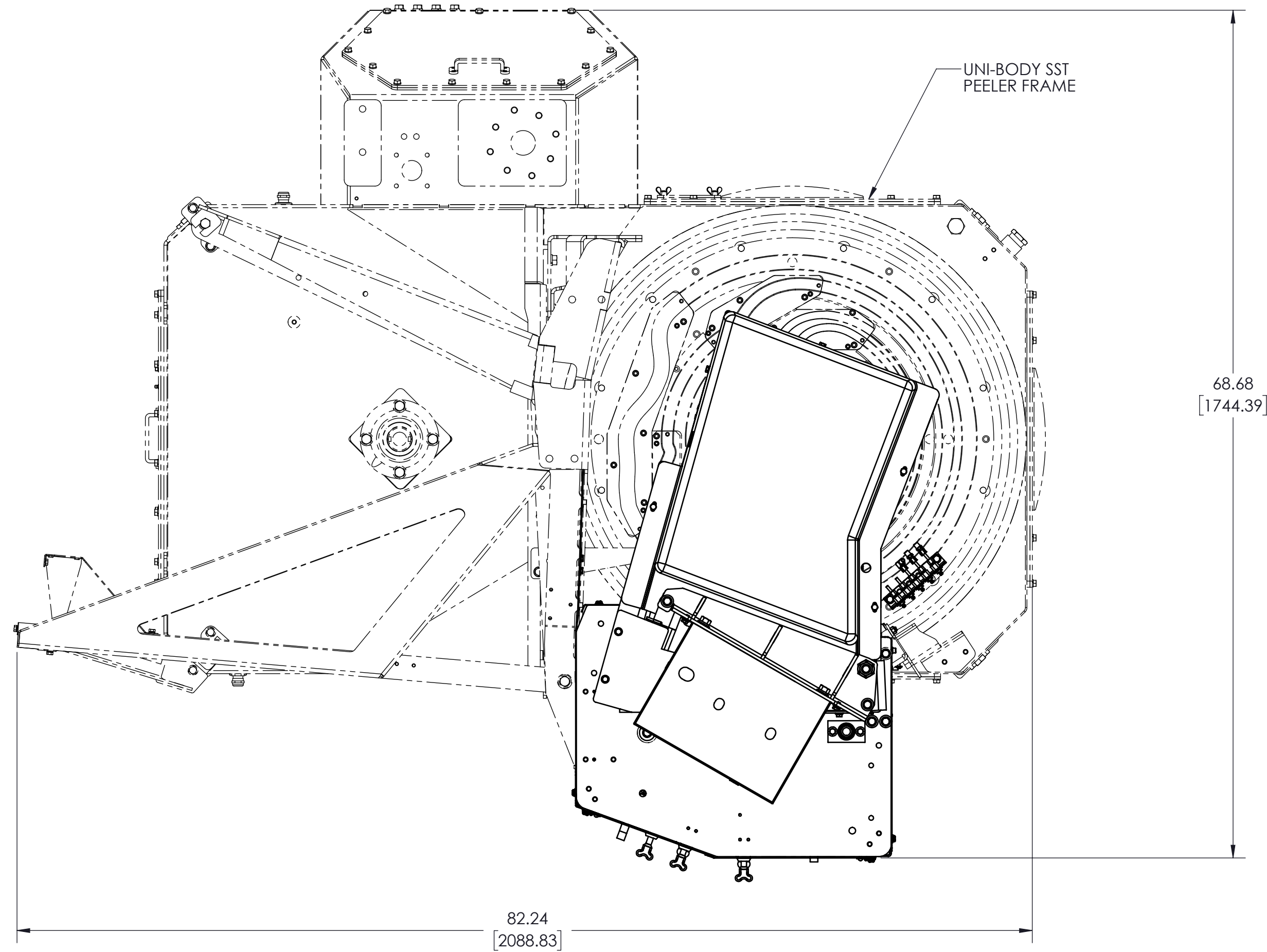


REVISIONS

REV	ECN NO	DESCRIPTION	DR	DATE
-	-	RELEASE OF DRAWING	MKL	8/21/2024



FILENAME SLICER	UNLESS OTHERWISE SPECIFIED DIMENSIONS ARE IN INCHES TOLERANCES: X = ± .030 FRAC = ± 1/32" .XX = ± .015 ANGLES = ± 1° .XXX = ± .005 MACH SURF = 125	WHERE USED: -	QTY WHERE USED: -
PROJECT -	HEAT TREAT -	TITLE SLICER, WEDGE, APPLE	
FINISH -	MACHINE FILLET RADIUS .005/.030; REMOVE BURRS AND SHARP EDGES .01/.03; INTERPRET DIMENSIONS AND TOLERANCES PER ANSI Y14.5. DO NOT SCALE DRAWING.	APPROVALS DRW MKL ENG -	DATE 8/21/2024
THIRD ANGLE PROJECTION	PROPRIETARY INFORMATION NOTICE THIS DRAWING CONTAINS PROPRIETARY AND CONFIDENTIAL INFORMATION WHICH SHALL NOT BE REPRODUCED, TRANSFERRED TO OTHER DOCUMENTS, DISCLOSED TO OTHERS, OR USED FOR ANY PURPOSE OTHER THAN QUOTING OR FABRICATION WITHOUT PRIOR WRITTEN PERMISSION FROM ATLAS PACIFIC ENGINEERING CO.	PRODUCTION RELEASE	SHEET 1 OF 1
	SCALE 1:8 OR NOTED	SIZE D	DRAWING NUMBER 9362.8000

DWG NO 9362.8000 SHEET 1 REV -