

ATLAS PACIFIC APRICOT PITTEP & HALVER

MANUFACTURED BY: ATLAS PACIFIC ENGINEERING COMPANY • PUEBLO, COLORADO USA • 719.948.3040 • FAX 719.948.4273



APRICOT PITTEP & HALVER

Machine Applications

The Atlas Pacific Apricot pitter is designed to orient, slice and remove the pits from oval shaped apricots. The machine is adjustable to accommodate a wide range of fruit size (1 1/4"/32mm to 2 1/4"/57mm diameter). The floating knife feature allows for some variation within the size range while producing high quality halves.

Machine Operation

The apricots are fed from the customer's feed conveyor into the Atlas automatic feed system. The feed system consists of 3 components: 1) The shaker which evenly feeds the fruit into the feed worms; 2) The feed worms which space the fruit (singulate) and feed it into the pick up pockets of the feed wheels; and 3) The feed wheels which place the fruit on the V-trough orienting belts. Once on the orienting belts the traveling orienting fingers, located above the belt, rotate the fruit so that the larger diameter is vertical and aligned along its suture.

After orientation, the V-belts move the fruit to the cutting area. The cutting area consists of a floating serrated knife system centered over the orienting belt. The serrated knife moves up and down freely and can be adjusted to accommodate variations in fruit size. Each knife includes a shroud to assure that the apricot remains aligned during the cutting process.

Typically, the pits fall

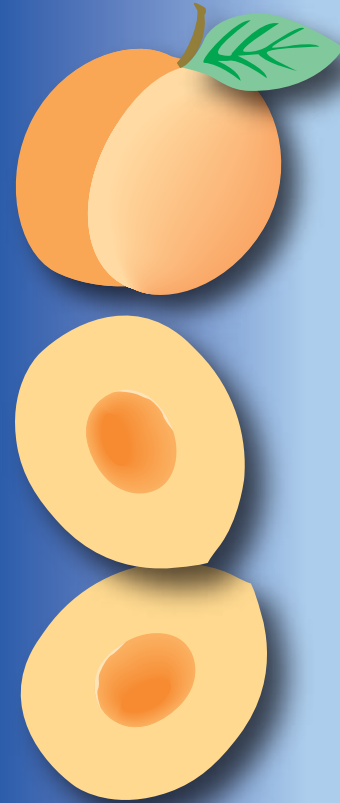


Singulating worm & feed wheel

Atlas Pacific offers the Apricot Pitter/Halver to orient, slice and pit oval shaped apricots. The system processes up to 1,000 pieces of fruit per minute, depending on fruit conditions, and is ideal for producing grade pack quality apricot halves. The machine is fully automatic which helps to reduce labor requirements.

This machine produces superior alignment and has gentle fruit handling techniques which result in producing the greatest possible number of choice halves.

The simple machine design results in high reliability and minimal maintenance during the season.



All machines meet OSHA and UL508 requirements. Machines bearing the CE Mark are also available (not shown).

APRICOT PITTEK & HALVER

Machine Operation continued...

free after cutting. However, on the occasion of a “stuck pit” the kicker blade, located at the rear of each blade assembly, will displace the pit should it still be lodged in the fruit after cutting. The pit kicker oscillates at approximately 1,000 cycles per minute thus contacting each stuck pit 3 to 4 times as the fruit passes.

TECHNICAL SPECIFICATIONS (APPROXIMATE)

	IMPERIAL	METRIC
CAPACITY	1,000 P.P.M.	1,000 P.P.M.
FRUIT SIZE RANGE	1 1/4 - 2 1/4"	32 - 57 mm
POWER REQUIREMENTS	Per customer specifications	
DRIVES: Pitter/Halver	(1) 1/4 H.P. motor	0.19 kw
Pitter/Halver	(1) 2 H.P. motor	1.5 kw
Shaker	(1) 1 H.P. motor	0.75 kw
WATER REQUIREMENT	10 Gpm	38 Lpm
NET WEIGHT: Pitter/Halver	4,250 lbs	1,928 kg
Shaker	646 lbs	293 kg
EXPORT CRATED WEIGHT:		
Pitter/Halver	5,420 lbs	2,458 kg
Shaker/Feeder	1,160 lbs	526 kg
CRATED MEASUREMENT:		
Pitter/Halver	432 ft ³	12.3 M ³
Shaker/Feeder	144 ft ³	4.1 M ³

Technical Assistance

Atlas Pacific, with over fifty years experience in the food industry, has fruit processing equipment operating in over 23 countries throughout the world. To service these installations, Atlas employs a dedicated fleet of service technicians, located around the world, ready to

assist the customer with machine inspections, off-season overhauls, seasonal start-up, or with troubleshooting. Along with service support, Atlas Pacific Engineering Company is available to assist with plant layouts and application engineering support as required.

www.atlas-pacific.com

ATLAS PACIFIC
ENGINEERING COMPANY, INC.

ATLAS PACIFIC ENGINEERING COMPANY, INC.

#1 ATLAS AVENUE / P.O. BOX 500 • PUEBLO, CO 81002-0500 USA
719.948.3040 • FAX 719.948.4273

ATLAS WESTERN REGIONAL OFFICE

4500 NORTHSTAR WAY • MODESTO, CA 95356 USA
209.574.9884 • FAX 209.574.0192

ATLAS EASTERN REGIONAL OFFICE

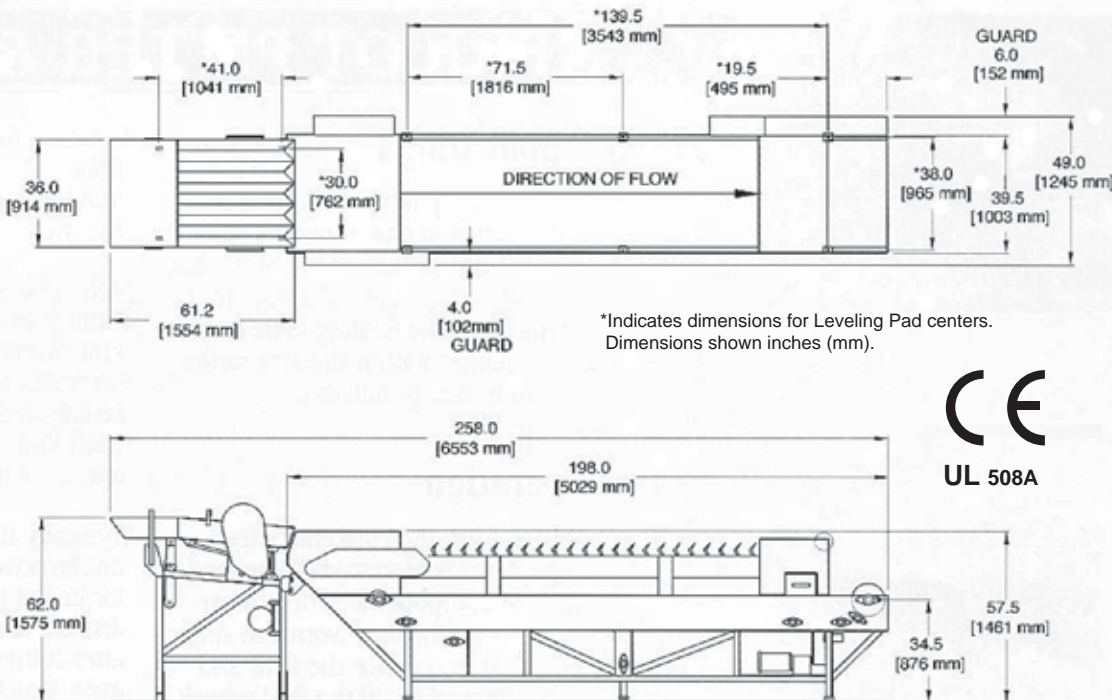
23 N. LOUDOUN • WINCHESTER, VA 22601 USA
540.662.9176 • FAX 540.662.9064

ATLAS PACIFIC EUROPE

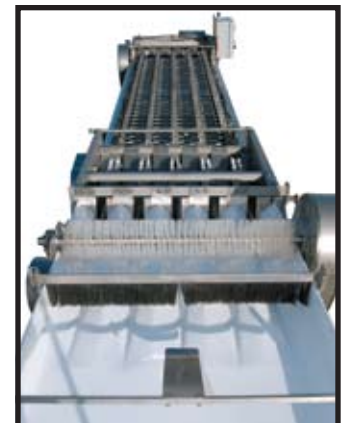
VIA GADAMES, 130 • 20151 MILAN • ITALY
39.02.3800.5999 • FAX 39.02.3340.0370

ATLAS PACIFIC AUSTRALIA

78-80 STEWART ST. • SHEPPARTON, VICTORIA • AUSTRALIA, 3630
61.35.821.6988 • FAX 61.35.822.2854



Discharge end



Shaker/feed end

Atlas Pacific, whose policy is to continuously improve its products, reserves the right to discontinue or change specification without notice and without incurring obligation.